

Solid rubber plug

SCHUKO / French/Belgian standard

1149290





General information

Item number	1149290
Model	Solid rubber plug
Colour	black

Electrical parameters

Amperage	16A
Voltage	250V
Poles	2P + PE

Standards/Directives

According to	DIN VDE 0620
Standard	SCHUKO / French/Belgian standard
Certification marks	  EAC

Operating conditions

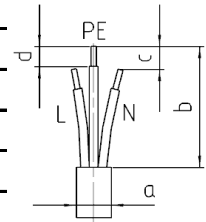
Storage temperature	-25°C to +70°C
Operating temperature	-25°C to +40°C
Relative humidity	5 to 95%, no condensation
Degree of protection	IP44

Materials

Contact Carrier	Rubber
Housing	Rubber

Connecting cable

Cross section	3x0,75mm ² -3x2,5mm ²
Cable diameter, dimension a	6-12mm
Insulation strip length sheath, dimension b	42-44mm
Trim L/N, dimension c	8mm
Insulation strip length cores, dimension d	8-10mm



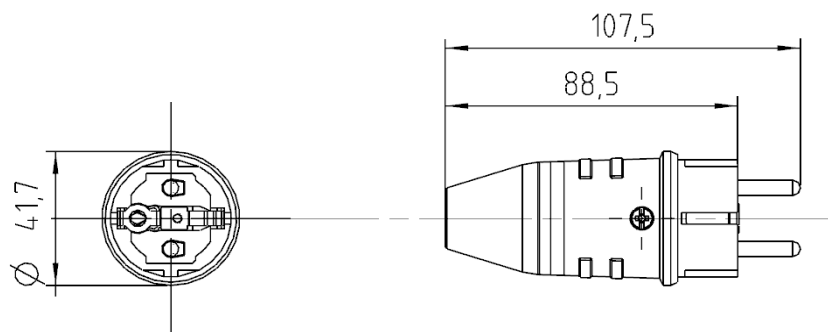
Connection screws

Max. torque for screws L-N/PE	0,5 Nm
Screw drive L-N/PE	Combined slot/PZ1
Max. torque for screws housing	1,2 Nm
Screw drive housing	Combined slot/PZ2
Max. torque for screws strain relief	0,5 Nm
Screw drive strain relief	Combined slot/PZ1

Additional technical information

Turn strain relief clamp	for wire diameter less than 8,5mm
--------------------------	-----------------------------------

Subject to modifications



If the application requires extended specifications, we recommend to test the application under real or simulated conditions. Parameters like duration, quantity and temperature will effect the result significantly